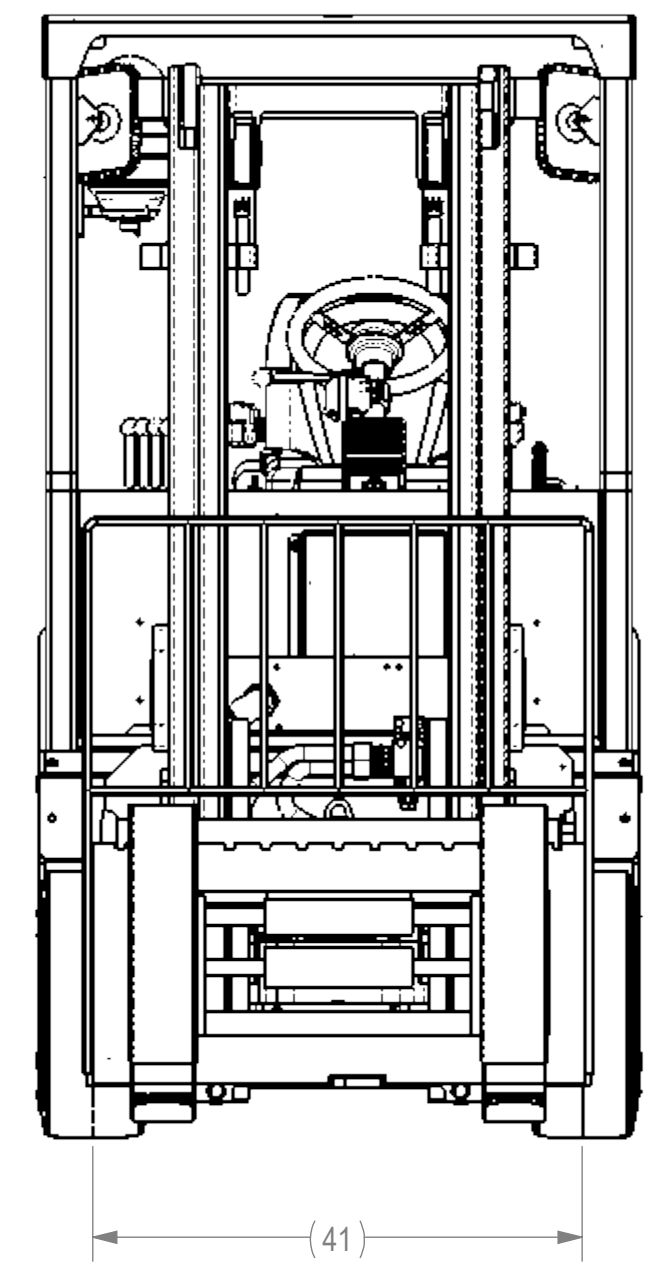
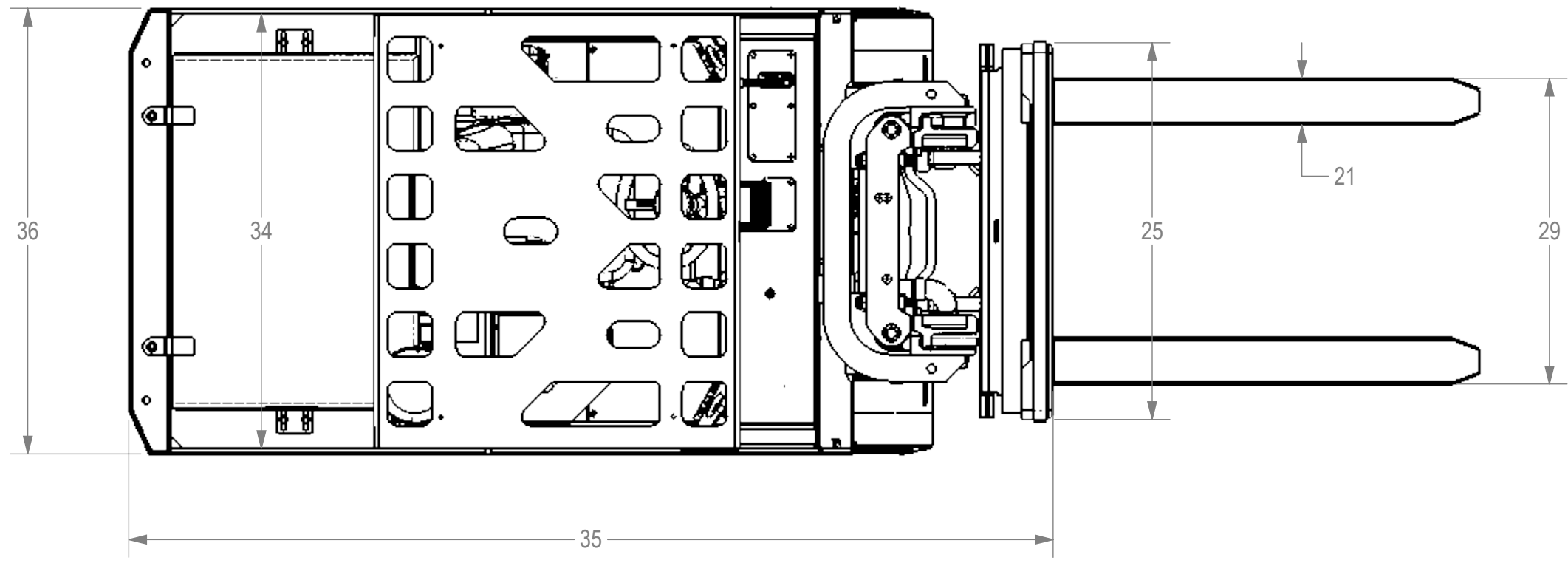
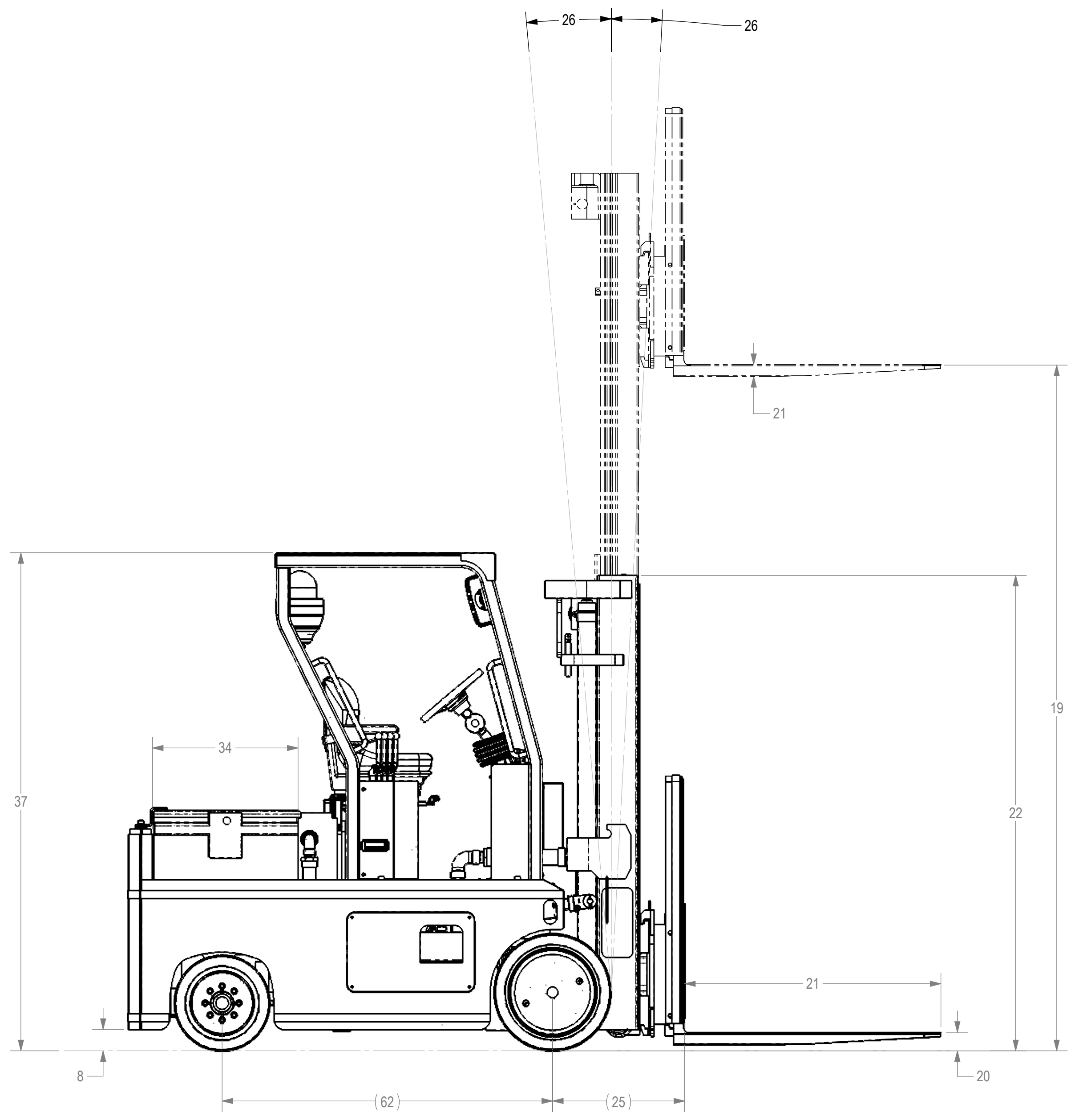
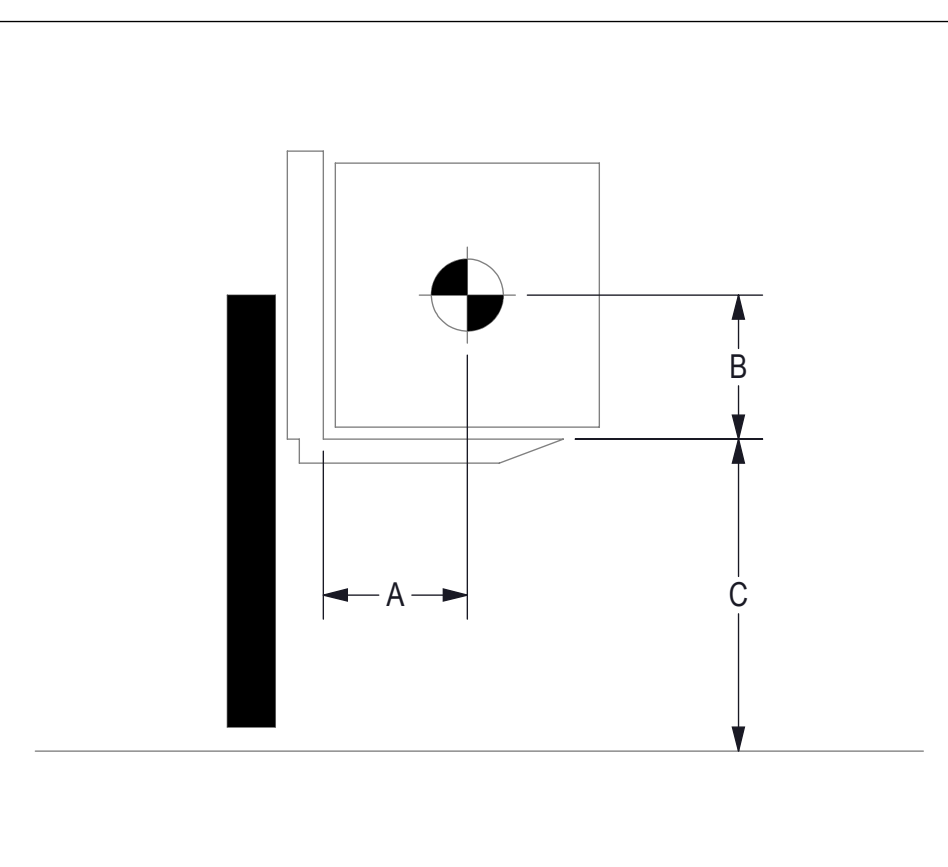


ZONE		REV	ECN	REVISIONS		
		A		DESCRIPTION	DATE	APPROVED
				INITIAL RELEASE	4/16/2019	ADS



E-31330		
1	MODEL	SD-EX-80
2	RATING	BUILT TO U/L 583 TYPE "EX", FM APPROVED, CLASS I-D, II-G DIV. 1
3	CAPACITY	8,000 LBS
4	LOAD CENTER	24"
5	DRIVE END TYPE	RIDER
6	DRIVE QTY	SINGLE AXLE
7	RIDER ENTRY	SIDE
8	UNDER-CLEARANCE	3.5"
9	DRIVE TIRE	POLYTREAD EZ
10	STEERING	POWER
11	HANDLE TYPE	STANDARD
12	BRAKES	HEAVY-DUTY HYDRAULIC WET DISK BRAKE SYSTEM
13	HYDRAULIC CONTROLS	MANUAL SPOOL VALVE FOR INFINITELY VARIABLE OPERATION
14	TRAVEL SPEED (EMPTY)	4.5 MPH
15	PAINT	SAFETY ORANGE
16	FORK TYPE	STANDARD
17	FORK CLASS	ITA III
18	FORK LOCATION	ADJUSTABLE
19	FORK RAISED HEIGHT	241"
20	FORK LOWERED HEIGHT	2.5"
21	FORK DIMENSIONS	2.5" X 5.25" X 48" BRASS CLAD
22	OVERALL MAST HEIGHT	108"
23	FREE LIFT	FULL
24	MAST GUARD	NONE
25	CARRIAGE WIDTH	42"
26	TILT (FORWARD / BACK)	3° FORWARD 5° BACK
27	LOAD BACK REST	STANDARD
28	SIDE SHIFT	YES
29	SIDE SHIFT AMOUNT	4" EACH DIRECTION (8" TOTAL)
30	BATTERY SUPPLIER	RICO
31	CHARGER SUPPLIER	RICO
32	BATTERY REMOVAL	OVERHEAD
33	BATTERY ROLLERS	NONE
34	BATTERY COMPARTMENT SIZE	35.375" X 49"
35	CHASSIS LENGTH	152.5"
36	CHASSIS WIDTH	50.25"
37	CHASSIS HEIGHT	92.5"
38		BDI / HOUR-METER W/LIFT CUT OUT
39		KEY SWITCH
40		DEAD-MAN BRAKING
41	SAFETY FEATURES	HORN
42		EMERGENCY POWER DISCONNECT
43		SEAT BELT
44		OVERHEAD GUARD
45		STROBE LIGHT

SERIAL NUMBER:	E-31330			
TRUCK MODEL:	SD-EX-80			
TYPE DESIGNATION:	EX			
CALCULATED TRUCK WEIGHT (W/OUT BATTERY):	14,210	LBS		
TRUCK VOLTAGE:	36	VOLTS		
BATTERY WEIGHT:	MIN	2,400	LBS	
	MAX	3,000	LBS	
ATTACHMENT(S)	CAPACITY	A	B	C
	(LBS)	(IN)	(IN)	(IN)
W/OUT ATTACHMENT	8,000	24	24	156
W/OUT ATTACHMENT	5,167	24	24	241
SIDE SHIFTER	7,200	24	24	156
SIDE SHIFTER	4,650	24	24	241



TOLERANCES:
.X ± .3"
.XX ± .13"
.XXX ± .063"
ANGULAR WEIGHTS ± 1° ± 15%

WELD SPECS:
• AWS D14.1

UNLESS OTHERWISE SPECIFIED:
• DIMENSIONS ARE IN INCHES.
• INTERPRET DIMENSIONS AND TOLERANCES PER ASME Y14.5-2009.
• INTERPRET WELD SYMBOLS PER AWS A2.4-2007.

CONFIDENTIAL AND PROPRIETARY: THIS DRAWING SHALL NOT BE DISCLOSED OR DUPLICATED WITHOUT THE EXPRESS WRITTEN CONSENT OF BPR-RICO MANUFACTURING, INC.
THIRD ANGLE PROJECTION

RICO
Life Trucks
BPR-RICO MANUFACTURING, INC.
691 WEST LIBERTY ST., MEDINA, OH 44256

ENGINEER: AARON SCHMITZ TITLE: PRELIMINARY DRAWING
DRAWN BY: AARON SCHMITZ DWG NO: 931330PD CAGE: 02M56
DATE: 4/16/2019 ALTERNATE: SCALE: 1:16
THIRD PARTY APPROVAL: NA STATUS: ACTIVE UNIT OF MEASURE: EA WEIGHT (LB): 14850.43 REV: A
PROCESS: ASSY SOURCE: MANUFACTURE SHEET: 1 OF 1

DRAWING SUBMITTAL REVIEW

APPROVED APPROVED WITH NOTED CHANGES

REVISE AND RESUBMIT REJECTED

BY: _____ DATE: _____